

Assembly Instructions for Fiberglass Walkways



IMPORTANT!

Read ALL instructions before beginning job. These instructions are provided to avoid problems that may occur from the improper assembly and installation of the FiberCat™. The manufacturer and/or distributor are not responsible for failure resulting from improper assembly or installation of the FiberCat™. Moreover, all warranties are void for failure to follow these assembly instructions.



WHEN CUTTING OR DRILLING FIBERGLASS PRODUCTS, ALWAYS WEAR PROTECTIVE GLASSES OR GOGGLES AND A MASK THAT COVERS THE FACE AND MOUTH. Skin irritation due to glass fibers may be avoided by applying a barrier cream to exposed skin areas prior to working with fiberglass.



TOOLS NEEDED

The fiberglass F-Track, angles or grating panel cross bars are most efficiently cut using a Tungsten carbide tip circular saw blade. Use a carbide drill bit to pre-drill any holes into the F-track or angle. A dead blow rubber mallet is recommended for driving the grating sheets to the F-track channels. Irvin Steel stocks drill bits and mallets.

INSPECTION

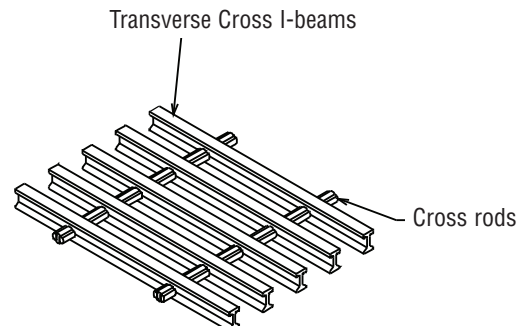
FiberCat™ components are visually inspected for physical defects and deficiencies prior to shipment. However, purchasers should inspect all components of the FiberCat™ for visible defects prior to assembly and installation. Do NOT assemble a FiberCat™ catwalk from components of unacceptable or questionable quality. Irvin Steel shall not be responsible for assembly, installation or removal costs resulting from the use of unacceptable or questionable quality components.

STANDARD ASSEMBLY INSTRUCTIONS

Securing Side F-Track Sections and Grating Panels

As seen in Figure 1, the walkway is comprised one (1) or more grating panels (figure 1), as well as F-sections consisting of channel to receive the grating panels (figure 1a).

Figure 1

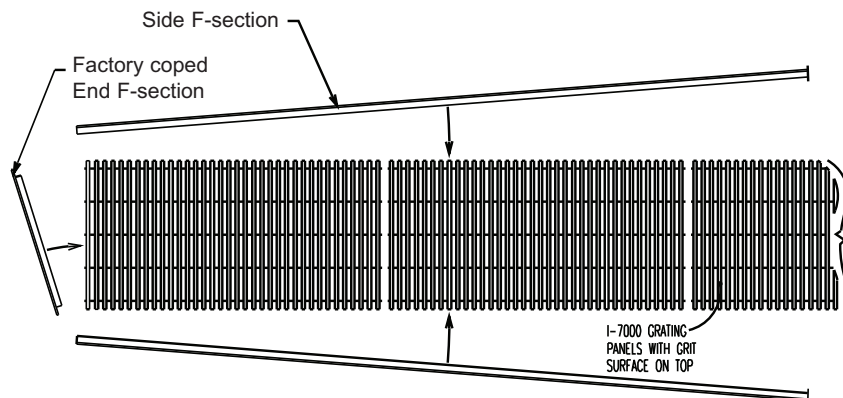


Lay F-sections for one side of the walkway on the floor with channel facing up. Install grating panels into the F-section.

NOTE: The grating is comprised of transverse Cross I-beams extending the length of the panel (figure 1a). These Cross I-beams have a non-skid, grit surface. Line up the grating panels, grit side up, with the F-section so that the end Cross I-beams of the two end grating panels are flush with the end of each F-section.

Figure 1a

To install F-section to panels, lay Side F-section on floor and install grating panels vertically into Side F-section channel. Using a rubber mallet, gently pound grating panels into Side F-section channel. Move to next grating panel when all grating panels are installed into one of the Side F-sections. Use a rubber mallet to install Side F-section on other side.

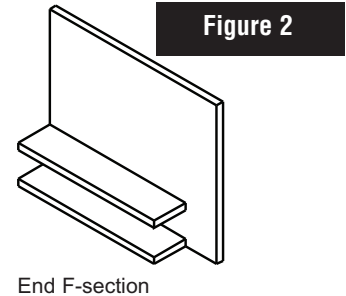


Using a rubber mallet, tap the Cross I-beams of the grating panel into the receiving channel of the Side F-section. Be certain that every Cross I-beam is full driven into the channel.

The same procedure should be followed to install opposite ends of the grating Cross I-beams into Side F-section on the other side.

Securing End F-Track Sections and Grating Panels

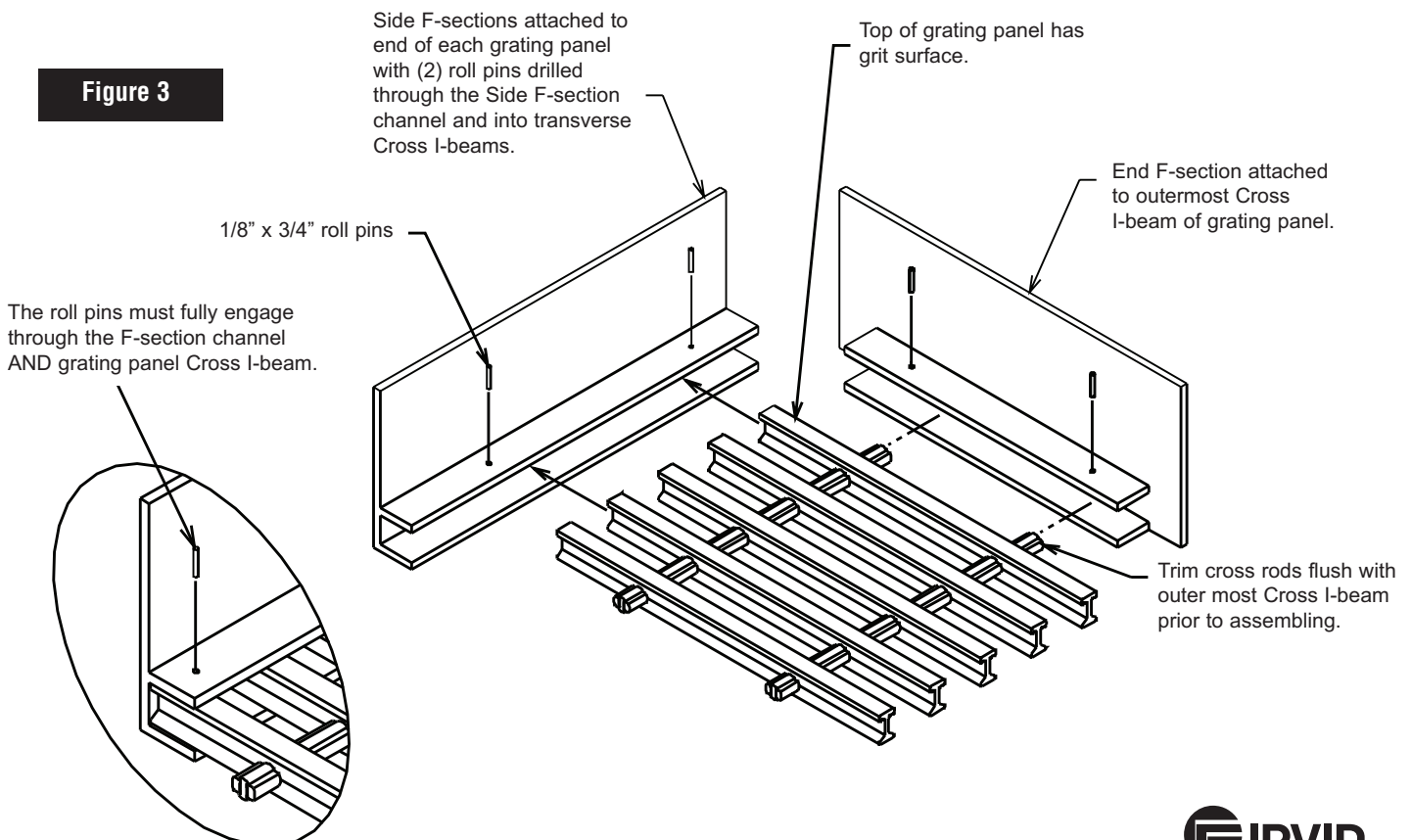
Each End F-section is “coped” to form closed corners at each of the four (4) end corners of the FiberCat™ walkway (See Figures 2 and 3). **NOTE:** It is important that the transverse Cross I-beams of the grating panel, not the elongated cross rods, press-fit into the receiving channel of the End F-section. The elongated cross rod at the end of each FiberCat™ walkway **MUST** be trimmed flush with the transverse Cross I-beams on the outer most grating panels prior to assembly of each End F-section.



ROLL PINS

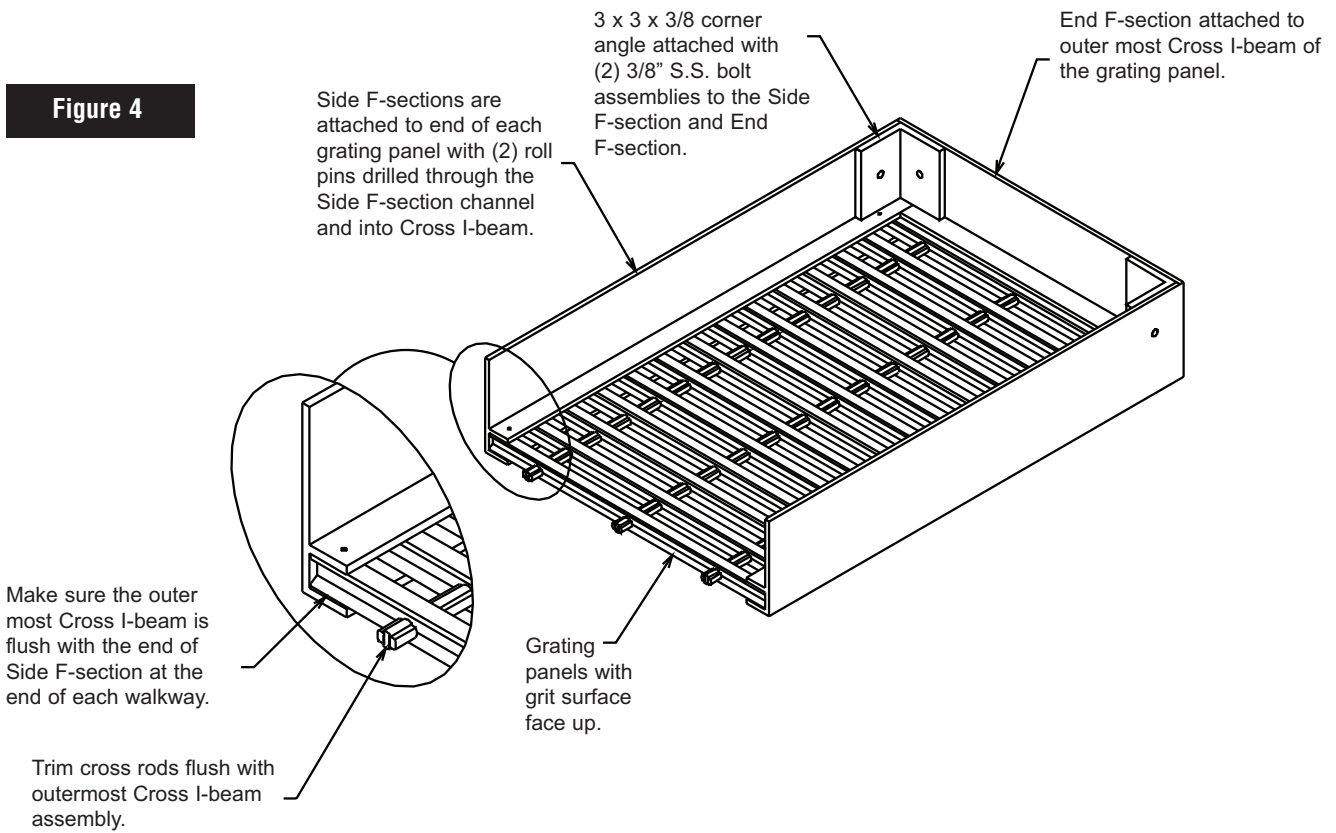
Two (2) roll pins are required to secure each grating panel to each Side F-section. Two (2) roll pin holes are drilled through the receiving channel of the F-section AND through end portions of the Cross I-beams at each end of each grating panel that has been press-fit into the receiving channel (See Figure 3). The roll pins are then gently tapped into the holes with a rubber mallet. **NOTE:** The roll pins must fully engage through the F-section channel AND grating panel.

In addition, two (2) roll pins are required to secure the outermost grating panel to each End F-section. The same procedure listed above should be followed. **NOTE:** The roll pins must fully engage through the F-section channel AND grating panel Cross I-beam.



Corner Angle Supports

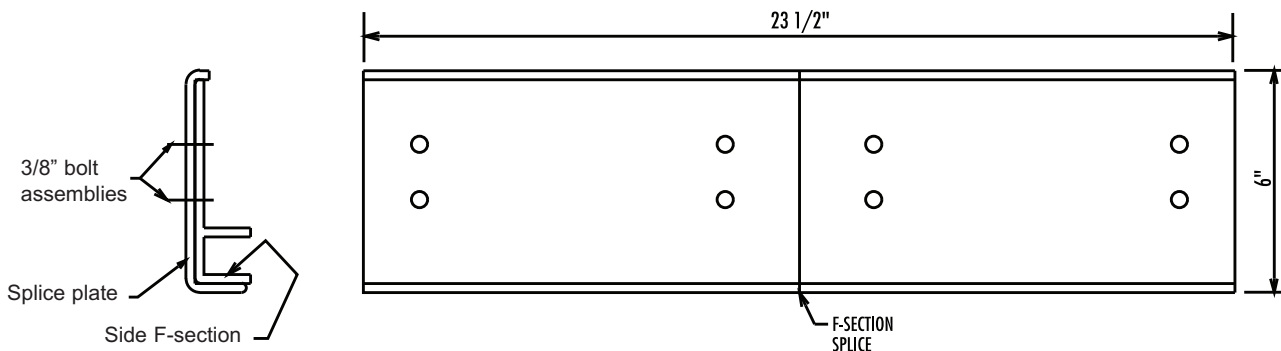
A corner angle support is installed at each of the four corners of the FiberCat™ walkway. The corner angle supports are bolted to the inside corner of the FiberCat™ walkway (See Figure 4) through pre-drilled holes in the corner angle supports and holes drilled through the upright walls of the Side F-sections and End F-sections.



SPLICE PLATES

Splice plates are used to connect adjacent Side F-Track sections together. Splice plates come with pre-drilled holes. Each splice plate should be centered at the point where adjacent Side F-sections engage each other. It is recommended that splice plates be bolted in place after the FiberCat™ walkway is installed on the structure (Figure 5).

Figure 5

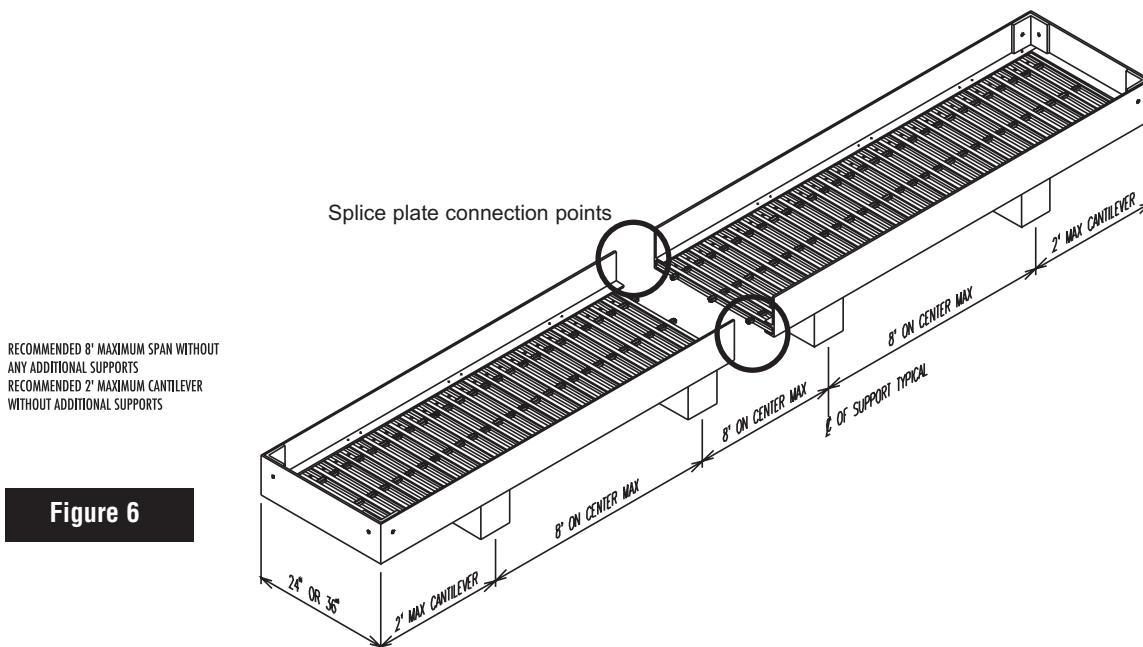


In order to maintain the recommended load limitation of 500 pound (lb.) concentrated load, 50 pounds (lb.) per square foot (psi) uniform loads to limit deflections to 1/240, the following guidelines should be observed:

Maximum Simple Span Length:

- 2ft wide FiberCat™ walkway – 8ft maximum simple span length
- 2ft wide FiberCat™ walkway with 2 or more spans – 9ft maximum span
- 3ft wide FiberCat™ walkway – 7ft maximum simple span length
- 3ft wide FiberCat™ walkway with 2 or more spans – 8ft maximum span

**Note: These spans can be increased if 6ft fiberglass channel is used in conjunction with fiberglass F-Track sections. Call your Irvin Steel Representative for more information on the channel.



RECOMMENDED 8' MAXIMUM SPAN WITHOUT ANY ADDITIONAL SUPPORTS
 RECOMMENDED 2' MAXIMUM CANTILEVER WITHOUT ADDITIONAL SUPPORTS

Figure 6

Cantilever Recommendations:

- 1ft Cantilever – F-Track section only
- 3ft Cantilever – F-Track section and 6ft fiberglass channel

Ends of adjacent Side F-Tracks must touch each other during and after applying the splice plate to assure the structure integrity of the FiberCat™ walkway.

Product Warranty. THE COMPANY warrants that PURCHASER shall acquire PRODUCTS purchased hereunder free and clear of all liens and encumbrances. THIS CONSTITUTES THE SOLE WARRANTY MADE BY THE COMPANY EITHER EXPRESSED OR IMPLIED. THERE ARE NO OTHER WARRANTIES EXPRESSED OR IMPLIED WHICH EXTEND BEYOND THE FACE HEREOF, HEREIN, INCLUDING THE IMPLIED WARRANTIES OR MERCHANTABILITY AND FITNESS FOR A PARTICULAR PURPOSE. IN NO EVENT SHALL THE COMPANY BE LIABLE FOR ANY INCIDENTAL OR CONSEQUENTIAL DAMAGES AND DISTRIBUTOR'S REMEDIES SHALL BE LIMITED TO REPLACEMENT OF NONCONFORMING PRODUCTS.

Limited Liability. NOTWITHSTANDING ANYTHING ELSE IN THIS AGREEMENT OR OTHERWISE, THE COMPANY WILL NOT BE LIABLE WITH RESPECT TO ANY SUBJECT MATTER OF THIS AGREEMENT UNDER ANY CONTRACT, NEGLIGENCE, STRICT LIABILITY OR OTHER LEGAL OR EQUITABLE THEORY FOR (1) ANY AMOUNTS IN EXCESS IN THE AGGREGATE OF THE AMOUNTS PAID TO THE COMPANY HEREUNDER DURING THE TWELVE MONTH PERIOD PRIOR TO DATE THE CAUSE OF ACTION AROSE OR (2) ANY INCIDENTAL OR CONSEQUENTIAL DAMAGES, LOST PROFITS OF LOST DATA OR (3) COST OF PROCUREMENT OF SUBSTITUTE GOODS, OR SERVICES. THE COMPANY SHALL HAVE NO LIABILITY FOR ANY FAILURE OF DELAY DUE TO MATTERS BEYOND ITS REASONABLE CONTROL.

Assembly Instructions. Failure to follow the current assembly instructions for FiberCat™ walkways voids all warranties express or implied.



Irvin, Inc. · 8105 Krauss Blvd., Suite 102 · Tampa, Florida 33619
 1-800-474-7846 · (813) 664-8945 · Fax (813) 621-6897 · www.irvinforoutdoor.com