

Electronic Time Switches

ET1100 Series, ET1700 Series & ET8000 Series

PRODUCT FEATURES

- Automatic Daylight Saving Time adjustment
- Astronomic models provide sunset ON and sunrise OFF settings to eliminate the need for separate photo control devices
- Astronomic programming can be combined with independent programs to provide sunset ON and timed OFF settings.
- ET8215, ET1725 and ET1125 models include multiple switching configurations – simultaneous, pulse, and independent. Simultaneous switching creates a DPST configuration typically used to drive a 240 VAC load with 120 VAC inputs. Pulse switching is to control latching contactors or for bell ringing applications. Independent switching is for normal operation in all other applications.

APPLICATIONS

- Schools
- Offices
- Airports
- Stores
- Hotels
- Restaurants
- Parks
- Apartments

FOR CONTROLLING

- Water Heaters
- Parking Lot Lighting
- Commercial Ovens
- Interior Lighting
- Air Conditioners
- Fans/Blowers/Pumps
- Livestock Feeders
- Poultry Equipment

SPECIFICATIONS

Switch Ratings (per pole):

- Resistive: 30A, 120/240 VAC 20A, 28 VDC
- Inductive: 30A, 120/240 VAC
- Ballast: 20A, 120-277 VAC
- Tungsten: 5A, 120/240 VAC
- Motor: 1 HP, 120 VAC 2 HP, 120 VAC

For ET1115, ET1715 & ET8115

- Resistive: 20A (N.O.), 10A (N.C.), 120/240 VAC
- Inductive: 20A (N.O.), 10A (N.C.), 120/240 VAC
- Tungsten: 5A (N.O.), 120/240 VAC
- Ballast: 20A (N.O.), 120-277 VAC 3A (N.C.), 120-277 VAC
- Motor: 1 HP (N.O.), 120 VAC ¼ HP (N.C.), 120 VAC
- Motor: 2 HP (N.O.), 240 VAC ½ HP (N.C.), 240 VAC

Indoor Case: Type 1 steel; 7 ¾" (19.7 cm) H, 5" (12.7 cm) W, 3" (7.6 cm) D; gray finish with lockable spring hasp. Add "C" suffix.

Indoor/Outdoor Case: Type 3R enclosure, steel; 9 ⅝" (23.8 cm) H, 5 ½" (14.0 cm) W, 3 ⅝" (9.2 cm) D; gray finish with lockable spring hasp. Add "CR" Suffix.

Indoor/Outdoor Case: Type 3R enclosure, plastic; 9 ⅝" (23.8 cm) H, 5 ½" (14.0 cm) W, 3 ¾" (9.5 cm) D; gray finish with lockable spring hasp and clear cover. Add "CPD82" suffix.

CPD82 Models: Type 3R high impact polycarbonate plastic case with clear cover for easy viewing of time switch mode and current status.

ET1125, ET1725, ET8215 Models: Feature contacts that can be field configured to act as two independently operated SPST, one simultaneous operated DPST, or independently pulsed SPST for contactor and bell ringing applications.

Setpoints (Events): Each load output can support up to 14 timed ON and 14 timed OFF events per day.

Carryover: Two AAA industrial grade alkaline batteries supplied to maintain accurate timekeeping for 3 years, minimum, in the event of power loss.

Non-Volatile Memory: Programming data maintained for life

Temperature Range: -40°F (-40°C) to 155°F (68°C)

Special Voltages and Cycles: All models 50 or 60 Hz

Min. ON/OFF Time (All models): 1 minute

Max. ON/OFF Time (ET8000 & ET1700): 6 days 23 hours 59 minutes

Max. ON/OFF Time (ET1100): 23 hours 59 minutes

Wire Size: AWG #10 through #18

Knockouts: Combination ½" - ¾" (one on back, one on each side, and two on bottom)

Shipping Weight: 2.5 lbs. (1.1 kg)

Agency Listing:  CEC Title 24 Listed

ET1100 Series 24-Hour Electronic Time Switch

Upgrading to a 24-Hour electronic time switch has never been easier with the ET1100 Series. Features include: Automatic Daylight Saving Time adjustment, multi-voltage operation from 120 to 277 VAC, and to-the-minute programming for accurate load control and reduced energy costs. Up to 28 setpoints or events (14 ON/14 OFF) can be preset to automatically repeat on a daily basis. Programming can be overridden at any time by pressing the ON/OFF button(s) on the clock face. Two industrial grade AAA alkaline batteries provide 3 years, minimum, program and timing protection.



ET1105C

ET1700 Series 7-Day Electronic Time Switch

Upgrading to a 7-Day electronic time switch has never been easier with the ET1700 Series. Features include: Automatic Daylight Saving Time adjustment, multi-voltage operation from 120 to 277 VAC, and to-the-minute programming for accurate load control and reduced energy costs. Up to 28 setpoints or events (14 ON/14 OFF) can be distributed throughout the days of the week. Programming can be overridden at any time by pressing the ON/OFF button(s) on the clock face. Two industrial grade AAA alkaline batteries provide 3 years, minimum, program and timing protection.



ET1715CPD82

ET8000 Series 7-Day Electronic Astronomic Time Switch

Intermatic's ET8000 Series features include: Automatic Daylight Saving Time adjustment, multi-voltage operation from 120 to 277 VAC, and to-the-minute programming for accurate load control and reduced energy costs, up to 28 setpoints or events (14 ON/14 OFF), and independent 7-Day programming. The ET8000 Series provides complete flexibility for applications where load switching differs each day. The astronomic feature provides sunset ON and sunrise OFF settings to eliminate the need for separate photo control devices. Astronomic programming can also be combined with independent programs for sunset ON and timed OFF settings. Programming can be manually overridden at any time by pressing the ON/OFF button(s) on the clock face.



ET8215CR



Schedule	Model #	Enclosure	Circuits	Switch	Amp Rating	Clock Voltage			
24-Hour	ET1105C	Type 1 Steel	1	SPST	30	120 / 208 / 240 / 277 VAC			
	ET1105CPD82	Type 3R Plastic							
	ET1105CR	Type 3R Steel							
	ET1115C	Type 1 Steel		SPDT	20/10				
	ET1115CPD82	Type 3R Plastic							
	ET1115CR	Type 3R Steel							
24-Hour	ET1125C	Type 1 Steel	2	SPST	30	120 / 208 / 240 / 277 VAC			
	ET1125CPD82	Type 3R Plastic							
	ET1125CR	Type 3R Steel							
	7-Day	ET1705C		Type 1 Steel	1		SPST	30	120 / 208 / 240 / 277 VAC
		ET1705CPD82		Type 3R Plastic					
		ET1705CR		Type 3R Steel					
ET1715C		Type 1 Steel	SPDT	20/10					
ET1715CPD82		Type 3R Plastic							
ET1715CR		Type 3R Steel							
7-Day	ET1725C	Type 1 Steel	2	SPST	30	120 / 208 / 240 / 277 VAC			
	ET1725CPD82	Type 3R Plastic							
	ET1725CR	Type 3R Steel							
	7-Day Astronomic	ET8015C		Type 1 Steel	1		SPST	30	120 / 208 / 240 / 277 VAC
		ET8015CPD82		Type 3R Plastic					
		ET8015CR		Type 3R Steel					
ET8115C		Type 1 Steel	SPDT	20/10					
ET8115CPD82		Type 3R Plastic							
ET8115CR		Type 3R Steel	2	SPST	30				
ET8215C		Type 1 Steel							
ET8215CPD82		Type 3R Plastic							
ET8215CR	Type 3R Steel								

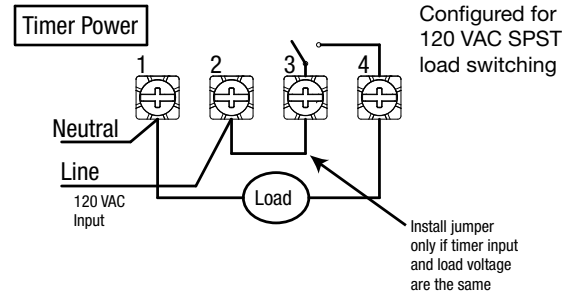


Electronic Time Switches

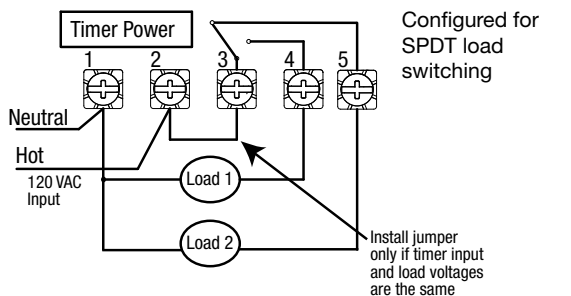
ET1100
ET1700
ET8000



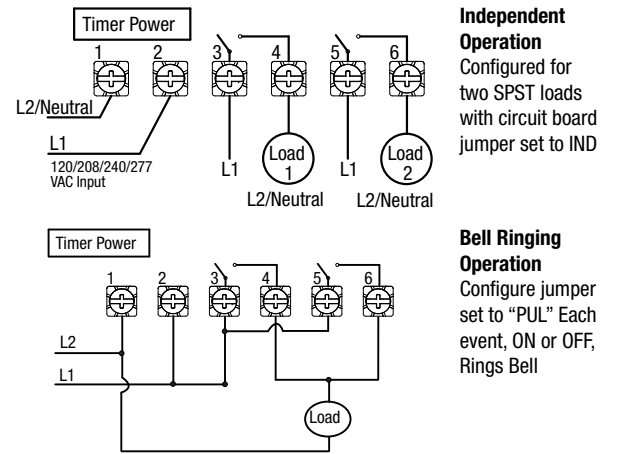
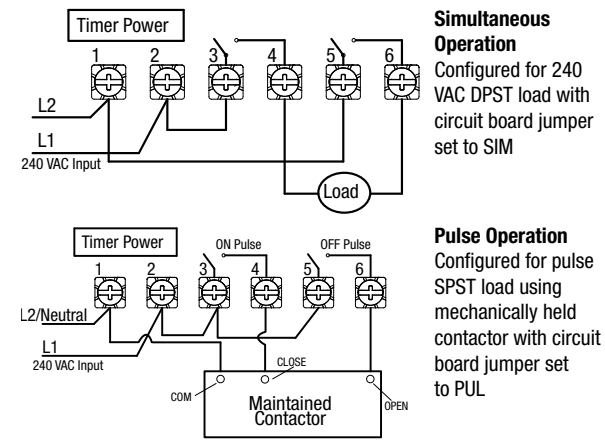
Wiring diagrams for ET1105C/CR/CPD82, ET1705C/CR/CPD82, ET8015C/CR/CPD82



Wiring diagrams for ET1115C/CR/CPD82, ET1715C/CR/CPD82, ET8115C/CR/CPD82



Wiring diagrams for ET1125C/CR/CPD82, ET1725C/CR/CPD82, ET8215C/CR/CPD82



www.intermatic.com

©2011 Intermatic, Incorporated
7777 Winn Road
Spring Grove, Illinois 60081
www.intermatic.com
300ET10036

