

# LED Corn Light Datasheet

**LED Corn Lights | 20W / 30W / 40W / 60W / 80W / 100W / 120W**

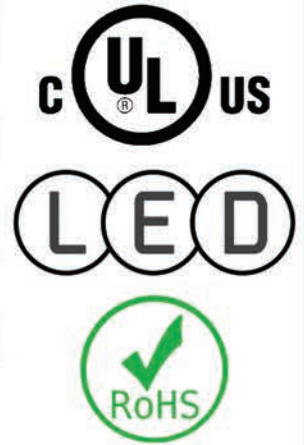
## Benefits

- Up to 75% More Efficient than HID Equivalent
- Longer life and lower maintenance cost
- Active fan heat exchange cooling
- Mercury and lead free, as well as UV and IR free
- Instant on, no warm up or start time



## Specifications

Equivalent	80-400 Watts HID
Average Rated Life	50,000+ Hours
Housing	Plastic / Aluminum
Base	E39 Mogul
Power	AC100-277V
Dimmable	Non-Dimmable
Beam	360°
Color (K)	2700K-6000K



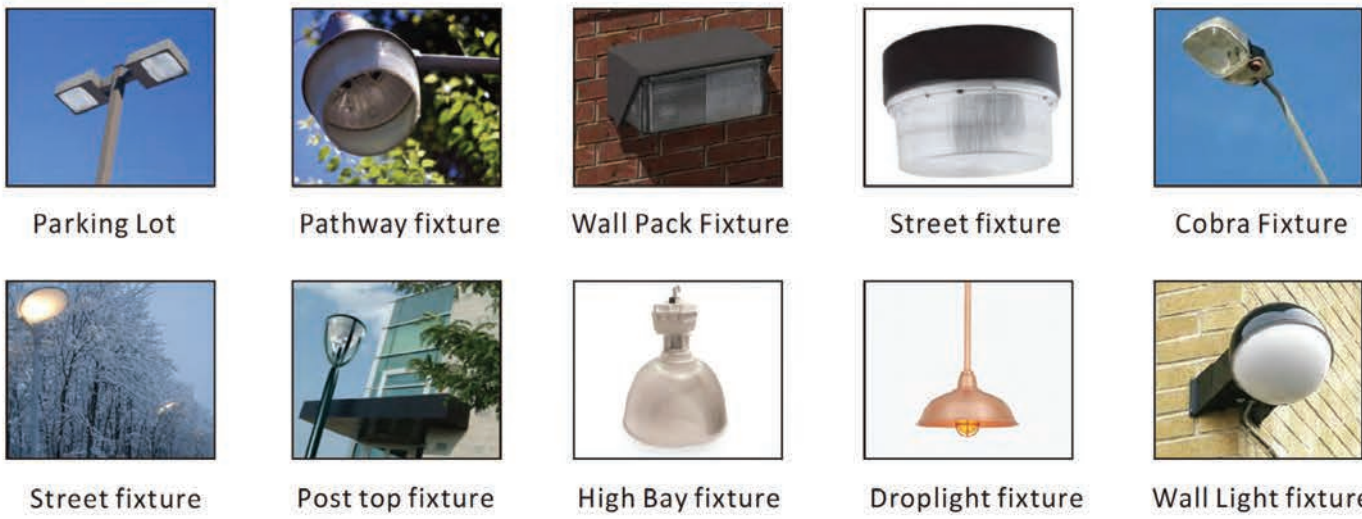
## Application Notes

1. Operating temperature range between -20°C and +40°C (-4°F and +104°F)
2. Not for use with emergency light fixtures or exit lights
3. Five year warranty and IP64 rated
4. Suitable for indoor/damp locations and sheltered outdoor use
5. Requires HD ballast bypass, see page two for instructions

This device complies with Part 15 of the FCC Rules and has been tested and found to comply with the limits for a Class B digital device

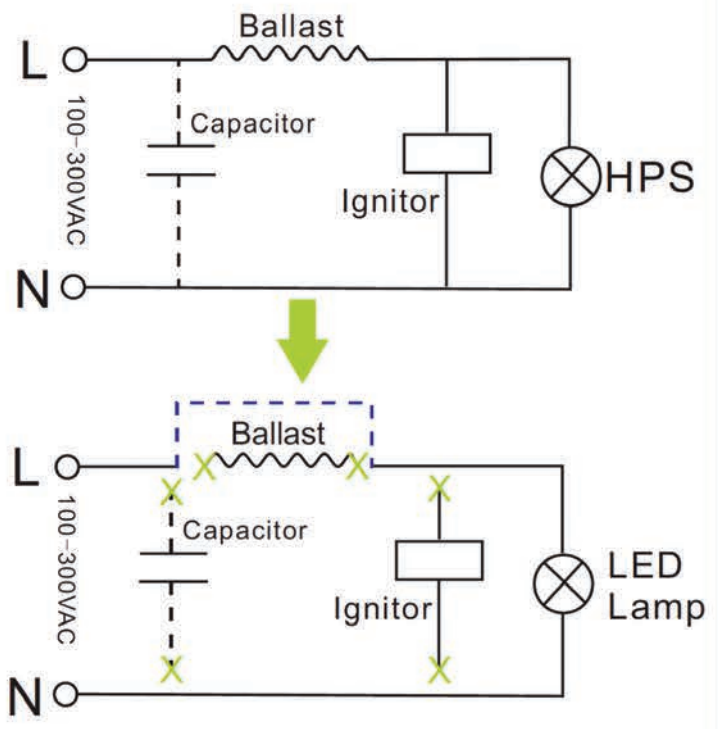
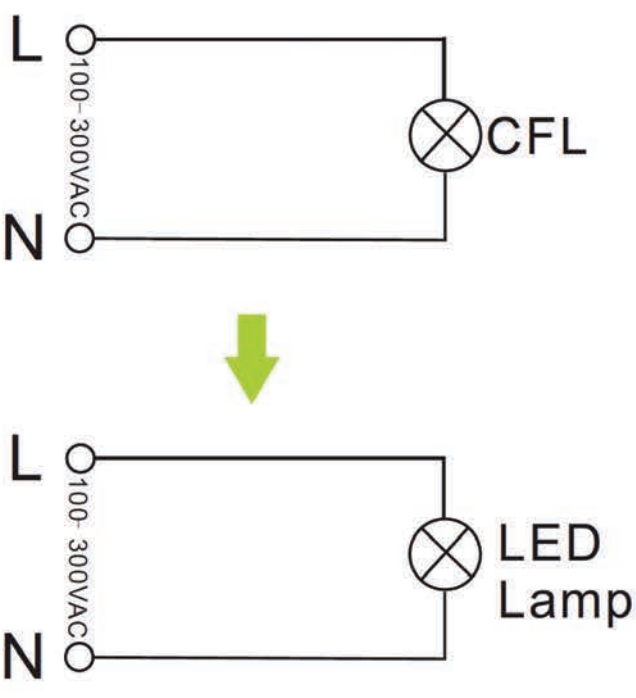
## LED Corn Lights | 20W / 30W / 40W / 60W / 80W / 100W / 120W

### Application Info



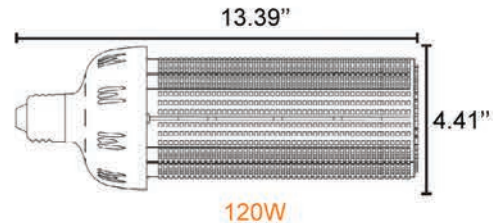
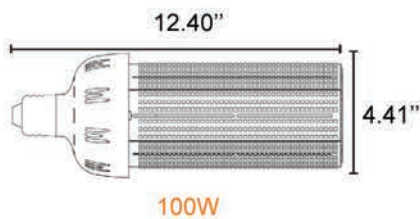
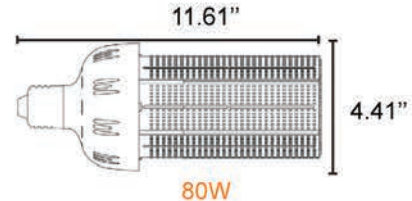
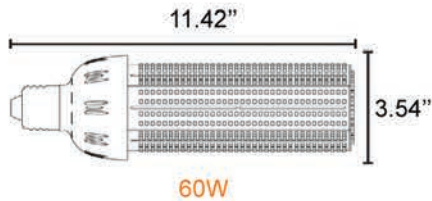
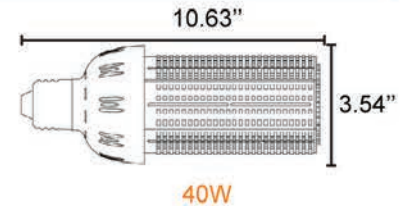
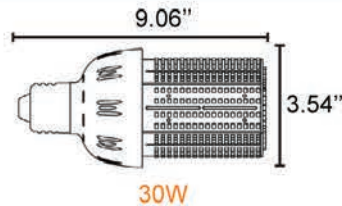
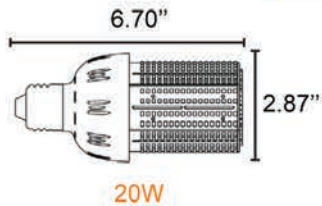
### CFL Replacement

### HPS, MH, HID Replacement



## LED Corn Lights | 20W / 30W / 40W / 60W / 80W / 100W / 120W

### Dimensions



### Ordering Info

Part #	Watts	Base	Replaces	Voltage	CCT	Lumens	CRI	Dim.	Beam
IRVIN40-20W-UL	20W	E39	80W HID	AC100-277V	2700-6000K	2,000	80	No	360°
IRVIN40-30W-UL	30W	E39	100W HID	AC100-277V	2700-6000K	3,100	80	No	360°
IRVIN40-40W-UL	40W	E39	150W HID	AC100-277V	2700-6000K	4,200	80	No	360°
IRVIN40-60W-UL	60W	E39	200W HID	AC100-277V	2700-6000K	6,500	80	No	360°
IRVIN40-80W-UL	80W	E39	250W HID	AC100-277V	2700-6000K	9,000	80	No	360°
IRVIN40-100W-UL	100W	E39	350W HID	AC100-277V	2700-6000K	10,000	80	No	360°
IRVIN40-120W-UL	120W	E39	400W HID	AC100-277V	2700-6000K	12,000	80	No	360°