

Assembly Instructions for Vinyl Clips

PLEASE READ ALL INSTRUCTIONS BEFORE BEGINNING INSTALLATION

Irvin Steel's Vinyl Clip is designed to work in conjunction with fiberglass rod to tension a vinyl sign. The Vinyl Clip comes completely assembled. These assembly guidelines are strictly recommendations and are not intended to serve as a step-by-step, foolproof checklist. **NOTE:** Standard Vinyl Clips are not recommended on StormTamer™ frames.



REQUIRED for INSTALLATION

- Wood Screws (into wooden backing) or Self Tapping Screws (into metal) (In extreme high wind areas, brackets may also be bolted into the structure)
- Drill with Socket

- 1) The Vinyl Clip base has four mounting holes (Figure 1). The bottom of the backer plate should line up with the bottom of the billboard face. On a paneled face, the bracket should be drilled into the panel and preferably through a supporting structure backing. On a panel-less frame, the Clip may be drilled into the bottom horizontal beam. It is not necessary to remove the Adjustment Plate from the unit to install the Base, although doing so may make the process easier. If you do not remove the Adjustment Plate, it must be fully expanded to expose all four holes on the Vinyl Clip Base for drilling (Figure 1a).

Figure 1



Base

Figure 1a



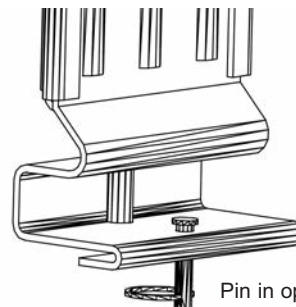
Vinyl Clip with
adjustment plate
completely retracted



Vinyl Clip with
adjustment plate
fully extended

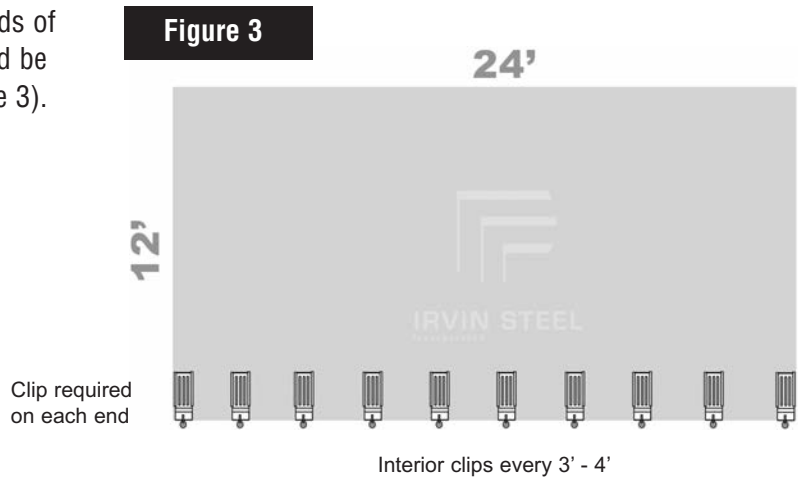
- 2) Pull down on the ring to ensure that the pin is in the "open" position (Figure 2).

Figure 2

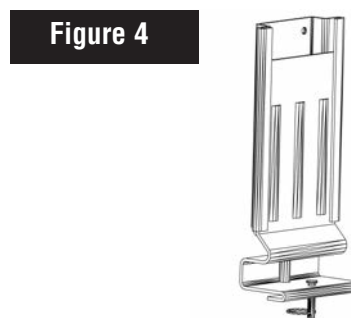


Pin in open position

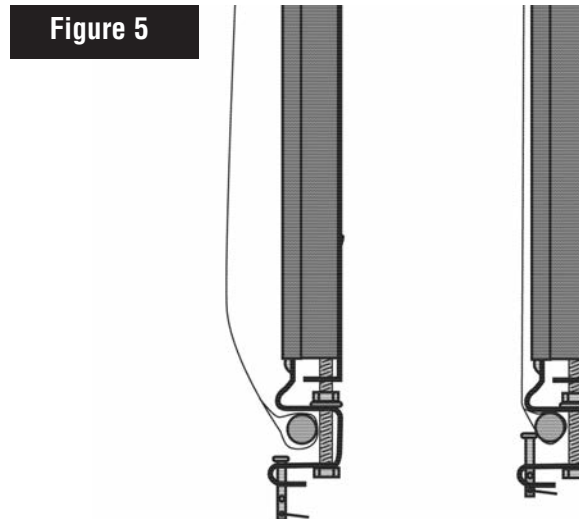
- 3) A Vinyl Clip must be drilled into both ends of the structure. The remaining clips should be evenly distributed every 3ft to 4ft (Figure 3).



- 4) Once all Bases have been bolted into place, ensure that the Adjustment Plates are in place. If they have been removed, they should be reinstalled now (Figure 4).



- 5) Fit the gripper rod into the vinyl pocket and insert into the clip's channel. Push up on the pin, locking in place. When this step has been completed with all Vinyl Clips, tension the vinyl sign by moving the adjustable bolt assembly (using the drill with socket) (Figure 5).



Product Warranty. THE COMPANY warrants that PURCHASER shall acquire PRODUCTS purchased hereunder free and clear of all liens and encumbrances. THIS CONSTITUTES THE SOLE WARRANTY MADE BY THE COMPANY EITHER EXPRESSED OR IMPLIED. THERE ARE NO OTHER WARRANTIES EXPRESSED OR IMPLIED WHICH EXTEND BEYOND THE FACE HEREOF, HEREIN, INCLUDING THE IMPLIED WARRANTIES OR MERCHANTABILITY AND FITNESS FOR A PARTICULAR PURPOSE. IN NO EVENT SHALL THE COMPANY BE LIABLE FOR ANY INCIDENTAL OR CONSEQUENTIAL DAMAGES AND DISTRIBUTOR'S REMEDIES SHALL BE LIMITED TO REPLACEMENT OF NONCONFORMING PRODUCTS.

Limited Liability. NOTWITHSTANDING ANYTHING ELSE IN THIS AGREEMENT OR OTHERWISE, THE COMPANY WILL NOT BE LIABLE WITH RESPECT TO ANY SUBJECT MATTER OF THIS AGREEMENT UNDER ANY CONTRACT, NEGLIGENCE, STRICT LIABILITY OR OTHER LEGAL OR EQUITABLE THEORY FOR (1) ANY AMOUNTS IN EXCESS IN THE AGGREGATE OF THE AMOUNTS PAID TO THE COMPANY HEREUNDER DURING THE TWELVE MONTH PERIOD PRIOR TO DATE THE CAUSE OF ACTION AROSE OR (2) ANY INCIDENTAL OR CONSEQUENTIAL DAMAGES, LOST PROFITS OF LOST DATA OR (3) COST OF PROCUREMENT OF SUBSTITUTE GOODS, OR SERVICES. THE COMPANY SHALL HAVE NO LIABILITY FOR ANY FAILURE OF DELAY DUE TO MATTERS BEYOND ITS REASONABLE CONTROL.

Assembly Instructions. Failure to follow the current assembly instructions for the Vinyl Clip voids all warranties express or implied.



Irvin, Inc. · 8105 Krauss Blvd., Suite 102 · Tampa, Florida 33619
 1-800-474-7846 · (813) 664-8945 · Fax (813) 621-6897 · www.irvinforoutdoor.com